

**Pressure Gauges / Pressure Transmitter / Ø 100 mm. MPS**

**CONSTRUCTIVE PROPERTIES**

	STANDARD	OPTIONAL
Mounting Type	Bottom Connection	See Technical Drawing
Scale Unit	bar	-
Scale Range (PN)	0/0,5   0/1   0/1,6   0/2,5   0/4   0/6   0/10   0/16   0/20   0/25   0/40   0/50   0/60	
Vacuum Scale Range	-1 / 0	-
Case	Stainless Steel AISI-304	-
Bezel	Stainless Steel AISI-304	-
Window	Safety Glass	Polycarbonate
Movement	Stainless Steel AISI-304	Vib-lock Movement
Wetted Parts	Stainless Steel AISI-316L	Monel 400
Connection	G 1/2" B	1/2" NPT
Dial	Aluminum	-
Pointer	Adjustable Aluminum	-
Welding	Special Welding	-
Voltage Supply	9 .. 35 V DC	-
Output Type	Current Loop	-
Output Range	4 - 20 mA	-
Measuring Method	Relative	-
Sensor Type	Monolithic / Ceramic	-
Response Time	≤ 5 ms	-
Current Consumption	< 30 mA	-
Reverse Polarity Protection	Built - in	-
Max.Length of Cable	100 meters	-



**MT100DLS1**

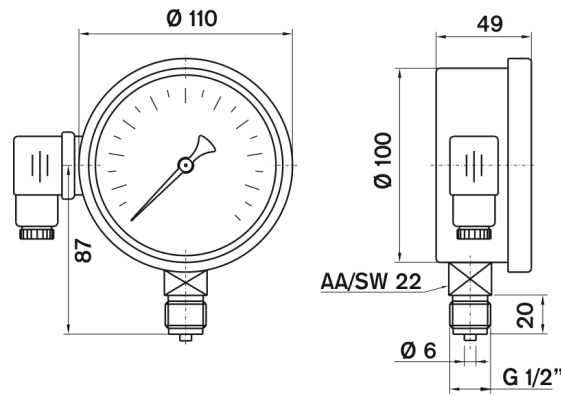
**USAGE PROPERTIES**

Fluid Temperature	Maximum + 200 °C	-
Ambient Temperature	- 20 ... + 60 °C	-
Operating Pressure (max.)	Must not exceed full scale.	
Over Pressure Limit	F.S. x 1,3	-
Accuracy Class	CL 1.0	CL 0.5
Protection Rate	IP 65	-

Storage Temperature	-40 ... +70 °C	-
Conformity	EN 837 - 1	-
Mechanical Shock Test Load	15g	-
Mechanical Vibration Test	10 Hz ile 150 Hz -1 oktav/dk. 2s / 3 eksende	

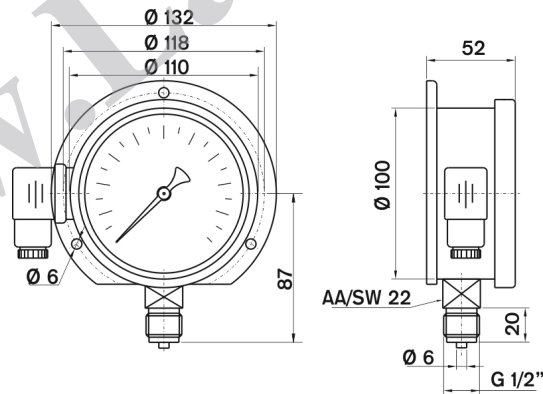
[www.Laheghi.com](http://www.Laheghi.com)

Pressure Gauges / Pressure Transmitter / Ø 100 mm. MPS



Model No: MT100DLS1

Bottom Connection



Model No: MT100DLS6

Bottom Connection with Back Flange